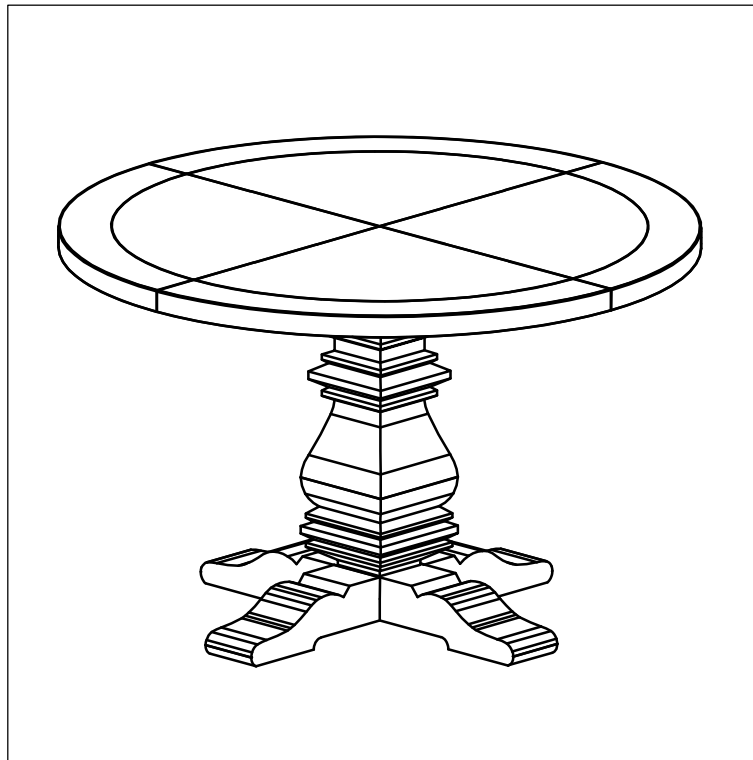


WORLD MARKET®

Assembly Instructions

Avila Round Table

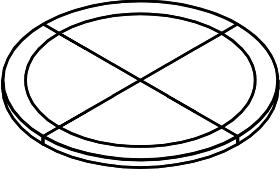
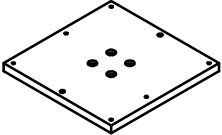
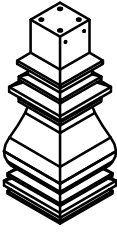
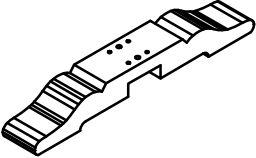
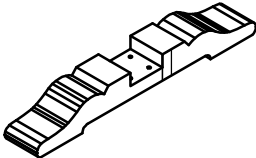
SKU-613598



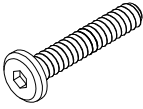
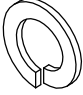

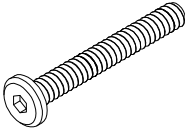
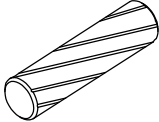
THANK YOU FOR PURCHASE. IF YOU HAVE ANY QUESTIONS
PERTAINING TO THE ASSEMBLY OF THIS FURNITURE PIECE, PLEASE CONTACT
THE NEAREST WORLD MARKET STORE.
IF YOU ARE NOT NEAR A STORE, PLEASE CALL OUR CUSTOMER SERVICE CALL
CENTER TOLL FREE AT 877-967-5362 FOR ASSISTANCE.

All products sold at World Market
are not for commercial use and are
intended for residential use only.


Component List

LABEL	PICTURE	DESCRIPTION	QTY
A	 A line drawing of an oval-shaped table top with a double-line border and a diagonal cross in the center.	Table Top	1
B	 A line drawing of a square table support plate with four small circular holes in the center.	Table Support	1
C	 A line drawing of a multi-tiered, square pedestal with a decorative, stepped design.	Pedestal	1
D	 A line drawing of a long, narrow, stepped foot component with a textured surface on one end.	Foot 1	1
E	 A line drawing of a long, narrow, stepped foot component, similar to Foot 1 but with a different profile.	Foot 2	1

Hardware List

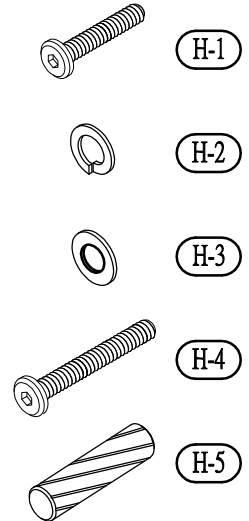
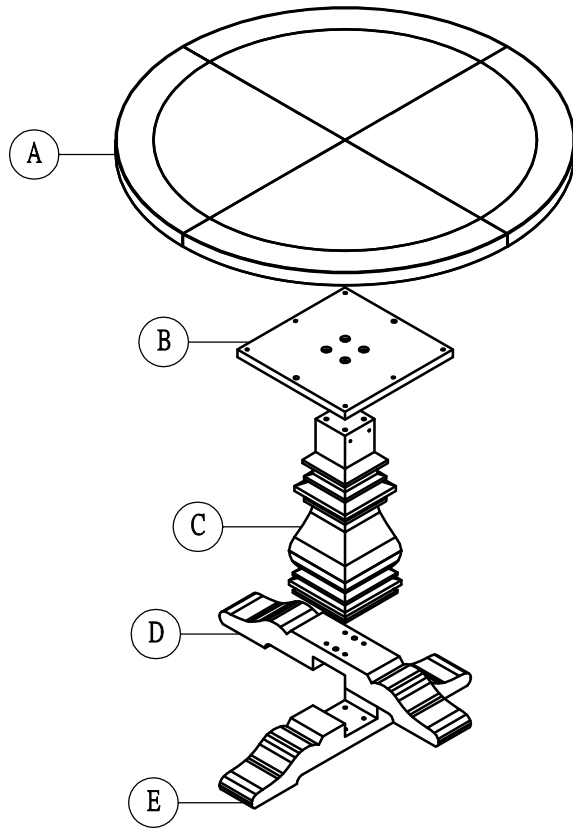
LABEL	PICTURE	DESCRIPTION	QTY
H-1		Short Allen Bolt M6 x 40mm	10
H-2		Spring Washer Ø13 x M8	14
H-3		Flat Washer Ø17 x M8	14
H-4		Long Allen Bolt M6 x 90mm	4
H-5		Dowel Ø12 x 30mm	4

Tool List

LABEL	PICTURE	DESCRIPTION	QTY
T-1		Allen Key	1

Assembly Preparation

Before Beginning :



- Unpack all hardware bags and components to ensure you have all parts-



- Read instructions, cover to cover-



- Have 2 adults on hand for assembly-



- Do not assemble on flooring or carpet-



- Assemble on a clean non-marring surface (packing foam)-



- Save all packaging until finished-



- In case of missing parts, please contact your nearest World Market store or call our customer service call center at call 1-877-967-5362.

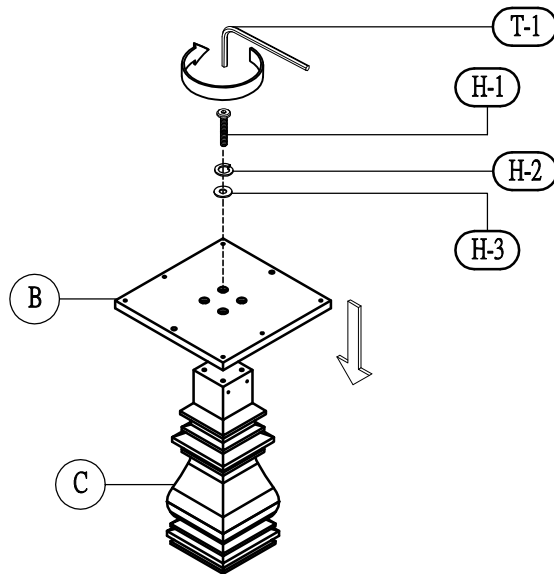
Assembly Steps

STEP 1 : Assembling Support and Pedestal

 (H-1) Short Allen Bolt M6x40 x 4

 (H-2) Spring Washer x 4

 (H-3) Flat Washer x 4



- Align holes on Table Support (B) with corresponding holes on top of Pedestal (C). Position so all predrilled holes are facing up.
- Secure Table Support (B) through center holes by engaging 4 pcs Flat Washers (H-3), 4 pcs Spring Washers (H-2), and 4 pcs Short Allen Bolts (H-1), stacking hardware in order as shown. Fully tighten bolts with the supplied Allen Key (T-1).

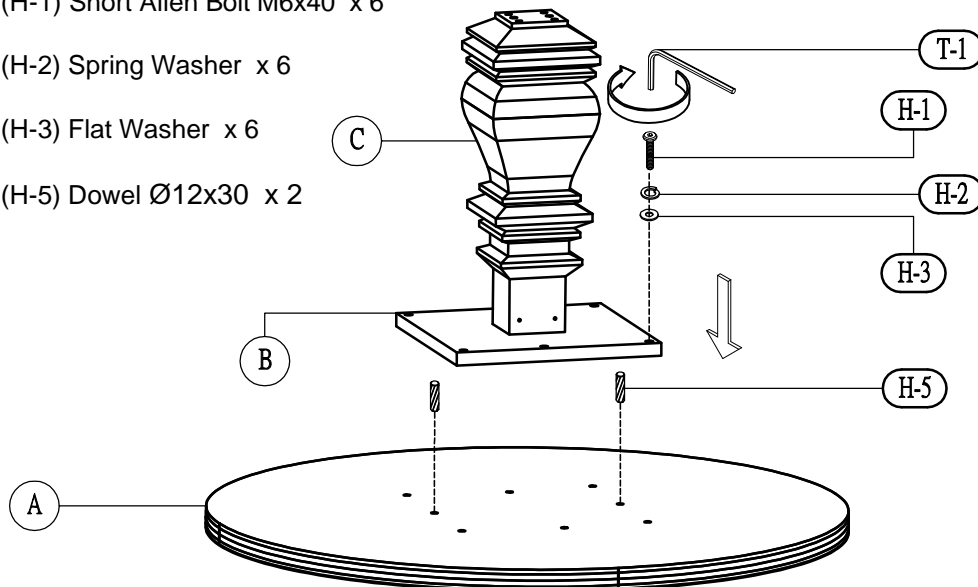
STEP 2 : Assembling Pedestal and Table Top

 (H-1) Short Allen Bolt M6x40 x 6

 (H-2) Spring Washer x 6

 (H-3) Flat Washer x 6

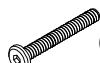



 (H-5) Dowel Ø12x30 x 2

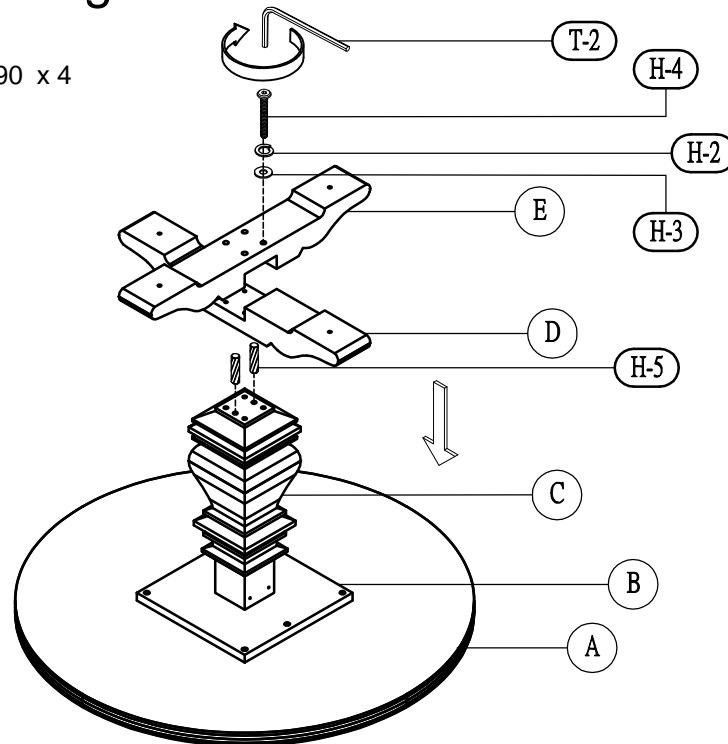


- Lay Table Top (A) upside down on a non marring surface (packaging foam).
- Insert Dowel (H-5) to center holes on bottom of Table Top (A), then line up dowels to corresponding holes on Table Support (B).
- Secure Table Top (A) and Table Support (B) by engaging 6 pcs Flat Washers (H-3), 6 pcs Spring Washers (H-2) and 6 pcs Short Allen Bolts (H-1), stacking hardware in order as shown. Do not fully tighten until all Allen Bolts are engaged. Then, fully tighten bolts with provided Allen Key (T-1).

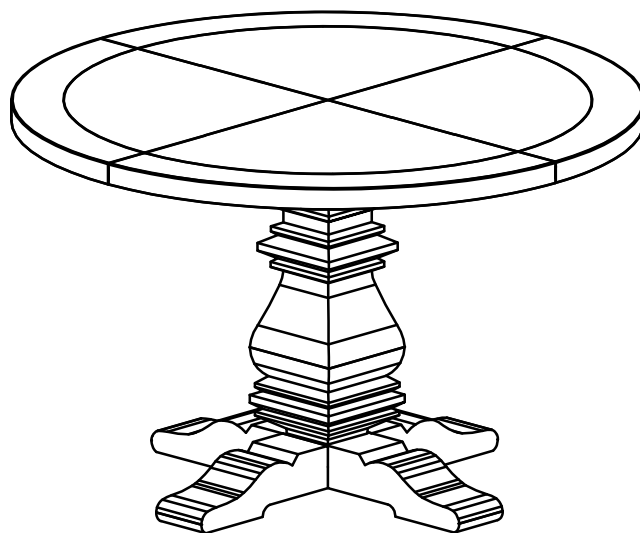
Assembly Steps

STEP 3 : Assembling Pedestal and Foot

-  (H-4) Long Allen Bolt M6x90 x 4
-  (H-2) Spring Washer x 4
-  (H-3) Flat Washer x 4
-  (H-5) Dowel Ø12x40 x 2



- Insert Dowel (H-5) to center holes on bottom of Pedestal (C), then line up and insert into corresponding holes on Foot 1 (D).
- Secure Foot 2 (E) and Foot 1 (D) as illustrated by engaging 4 pcs Flat Washers (H-3), 4 pcs Spring Washers (H-2) and 4 pcs Long Allen Bolts (H-4), stacking hardware in order as shown. Do not fully tighten until all Allen Bolts are engaged. Then, fully tighten with provided Allen Key (T-1).



With a second person, carefully turn upright, being sure not to rest the sides of the table top on the floor. Assembly is completed, your table is ready to use.

NOTE: This table comes with pre-attached adjustable levelers on bottom of Foot (D) and (E)

Care & Maintenance

-  • Do not put hot items directly on furniture surface.
 -  • Do not clean furniture with harsh cleansers or polish.
 -  • Do not place furniture in direct sunlight.
 -  • Do not place furniture near heating or cooling vents.
 -  • Do not write on furniture without a padded barrier to protect the surface.
 -  • Do not place furniture outside. For indoor use only.
 -  • All products sold at World Market are not for commercial use and are intended for residential use only.
-

-  • Dust and pick-up spills using a clean, non-colored, lint-free, dry cloth.

WORLD MARKET LIMITED ONE-YEAR WARRANTY – Indoor Furniture

For your customer satisfaction, this product carries a LIMITED ONE-YEAR WARRANTY from the date of purchase. This limited warranty only applies to World Market brand furniture, and not to other furniture brands sold on World Market's website.

Where applicable, the limited warranty provides coverage for:

1. **Manufacturing, Material and Workmanship Defects:** Includes defects related to core frame/structure substrates (wood and metal); cracking, splitting, or complete breakage of hardwood, plywood or medium density fiberboard (MDF); cracking, splitting or lifting of wood veneer or laminated top surfaces caused by process failure; broken welds or improperly coated metal frame components (powder coating or painted); fabric or leather material defects including tears, misprints, fraying, crease marks, skip stitches or open seams; support webbing material and sinuous spring defects or damage, including method of attachment to frame; and other component failures that are a direct result of manufacturing or workmanship defects.
2. **Cushions & Cushions with Enclosed Steel Pocket Coils:** Failed or ruptured steel pocket coils enclosed inside of seat cushions, or loss of resiliency from a material breakdown of foam or fiber filling, which should not be confused with softening or settling during normal use.
3. **Leather:** Splitting or cracking of leather material. NOTE: The warranty does NOT cover natural hide markings, variations in the leather color or grain due to the authentic natural properties of processed cowhide leather.
4. **Bonded Leather or Bi-cast Leather:** Separation of the polyurethane coating, peeling or cracking of the inner layer or at the bonded seam edges (bi-cast straps).
5. **Furniture Components (Hardware & Mechanisms):** Includes defects to pre-installed components or hardware provided to the customer for assembly such as office chair hydraulic lifts, lift mechanisms, metal bases and casters, swivel plate mechanisms; for drawers, metal glides, handles/knobs; for doors, hinges, magnetic latches; and other components such as bent or stripped threaded leg posts and adjustable levelers. For missing, damaged, corroded, or misplaced hardware components such as bolts or washers, please contact Customer Service at: 877-967-5362.

This LIMITED ONE-YEAR WARRANTY does NOT cover:

1. Damage due to mishandling during transportation from store or transportation without original protective packaging.
2. Abuse, negligence (product misuse) or wear and tear that may result in or from:
 - a. **Wood & Veneer:** Mishandling, exposure to moisture, peeling or discoloration caused by exposure to moisture or excessive sunlight, heat; splintered, dented or nicked panels, legs or component edges or paint/finish blemishes; or treatment with corrosive chemicals (dyes, inks, paints or harsh cleaning products).
 - b. **Fabric & Leather (Including Bonded or Bi-Cast Leathers):** cuts, punctures, tears, burns, pet damage, or treatment with corrosive chemicals (dyes, inks, paints or harsh cleaning products), exposure to direct sunlight, fire, high heat, water, or any bright light source (natural or artificial) that may cause splitting, peeling or flaking with time.
 - c. **Foam (Cushions):** Flattening, relaxing or settling/softening of foam components that comes with normal use.
 - d. **Hardware Components:** improper installation or misuse/substitution of hardware components not defined in the Assembly Instructions for the product (if applicable)
3. Damage due to environmental exposure to direct sunlight, fire, high heat, water or extreme humidity, any bright light source (natural or artificial), or any environment that the product is not intended for.
4. This warranty is applicable for indoor furniture products purchased for residential use only.

For additional information on returns, please visit: <https://www.worldmarket.com/category/customer-service/returns.do>

All products sold at World Market are NOT FOR COMMERCIAL USE and are intended for residential use only. Products purchased for commercial use will VOID all warranty provisions as listed above.

Any claims under this LIMITED ONE-YEAR WARRANTY are valid and applicable only as to the original purchaser and must be accompanied by proof of purchase. Warranty claims should be submitted to a World Market store or through World Market Customer Service Call Center, Toll Free at 877-967-5362.

For valid warranty claims, World Market will repair or replace the product, or offer a full or partial credit, in the sole discretion of World Market. This LIMITED ONE-YEAR WARRANTY gives you specific legal rights and you may also have other rights which vary from state to state.